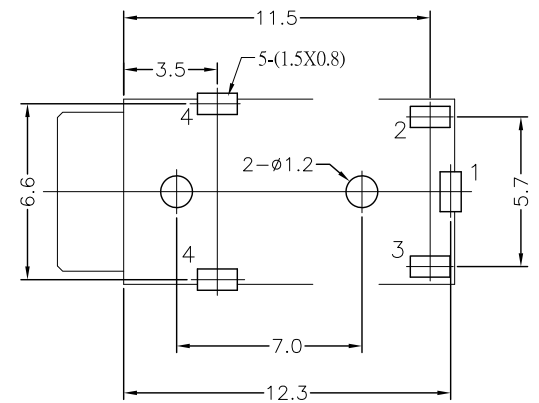
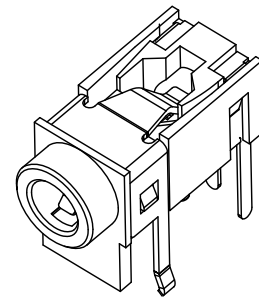
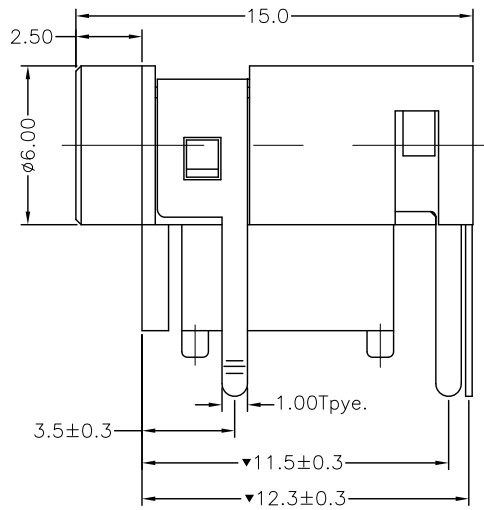
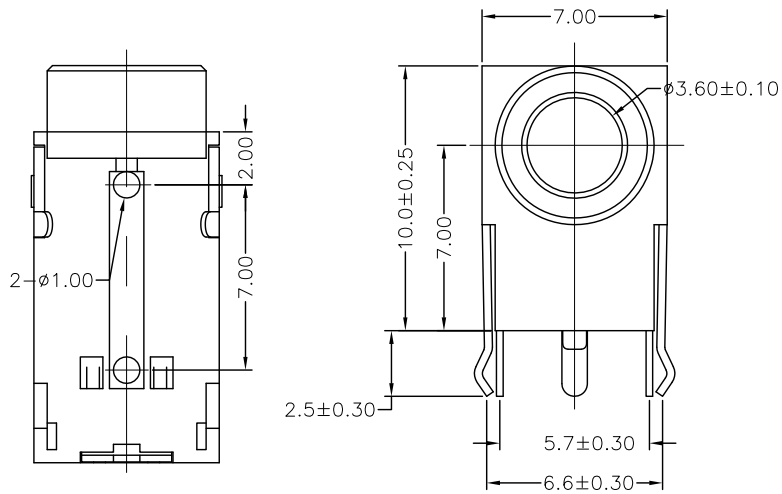


ENG.NO. W0003-1501021

ROHS COMPLIANT

Rev 版次	Revision note 變更內容	Date 日期	DR 制圖
A0	Original Release	Aug.27,10'	Chenyq



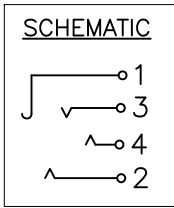
Recommended P.C.B layout

**MECHANICAL:**

1. Insertion Force: 30N Max;
2. Withdrawal Force: 3N Min.

**ELECTRICAL SPECIFICATION:**

1. Rated Voltage And Current: Ac 30v Max, 1.0A Per Contact.
2. Insulation Resistance: 100 MΩ. Min.
3. Contact Resistance: 30mΩ Max.
4. Dielectric Withstanding Voltage: 500V/AC.
5. "▼" Is Important Control Size.
6. Durability: 5000 Cycles.



③	CONTACT:BRONZE Ag-PLATING,NI UNDERPLATED OVERALL.	3
②	CONTACT:BRASS Ag-PLATING, NI UNDERPLATED OVERALL.	1
①	HOUSING:PBT UL94V-0 COLOR:BLACK	1
ITEM	DESC	Q'TY

<b>威納電子</b> WINPOINT ELECTRONIC CORP. www.winpoint.com.tw		<b>Title 名稱</b> φ3.5 PHONE JACK									
<b>DR: 制圖</b> Chenyq		<b>CHK'D 審核</b> Kenny_shi		<b>APP'D 核准</b> Chen		<b>REV.</b> AO		<b>UNIT</b> mm		<b>SHEET</b> 1/1	
<b>PART NUMBER 威納料號</b> PJ-35RH-K2-K-2			<b>CUSTOMER P/N 客戶料號</b> -			<b>DATE 日期</b> Aug.27,10'			<b>GENERAL TOLERANCE 一般公差</b> MM X.X = ±0.38 X.XX = ±0.25 X.XXX = ±0.05 UNLESS OTHERWISE SPECIFIED		
<b>DWG NO. 圖號</b> WP009-1501285-B				<b>FILENAME 路徑</b> WP/009		<b>SCALE 比例</b> 1:1		<b>ANGULAR ±3°</b>			