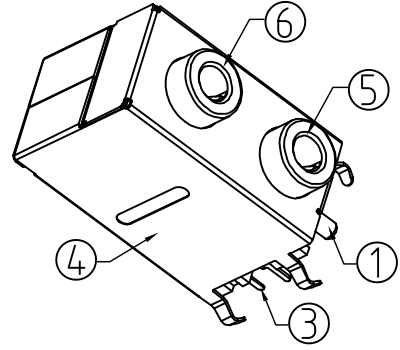
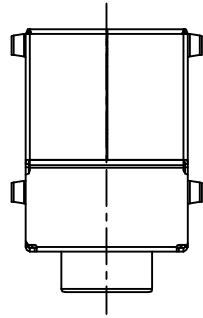
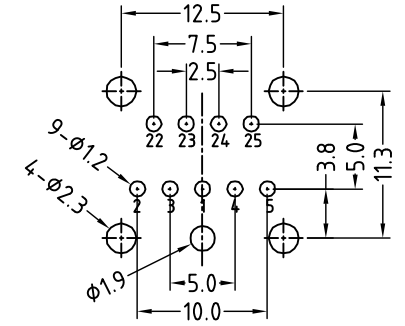
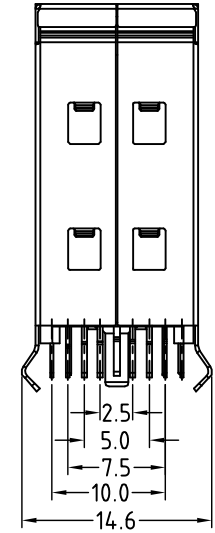
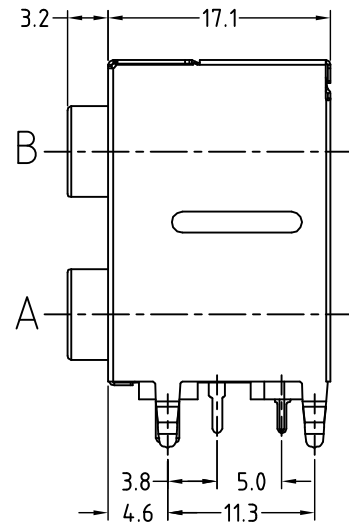
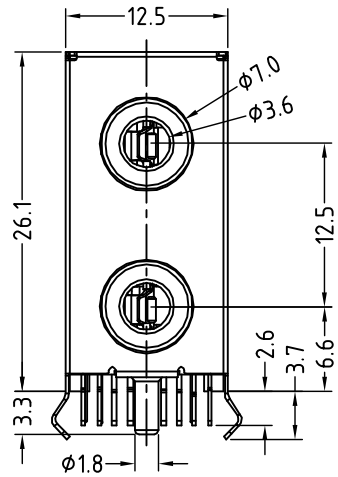


ENG.NO. W0003-1106219

Rev 版次	Revision note 變更內容	Date 日期	DR 制圖
A0	Original Release	May.15,08'	YangRL

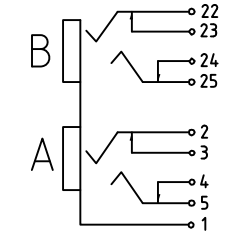


ELECTRICAL SPECIFICATION:
 1.CURRENT RATING:0.5 AMP.
 2.DIELECTRIC WITHSTANDING VOLTAGE:AC 500V R.M.S.
 3.INSULATION RESISTANCE:100MΩ Min.
 4.CONTACT RESISTANCE:30mΩ Max.
 5.OPERATING TEMPERATURE:-10°C TO +70°C.



RECOMMENDED PCB LAYOUT

CIRCUIT DIAGRAM

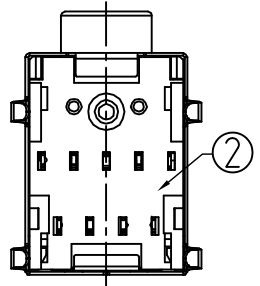


RoHS COMPLIANT

PRODUCT INFORMATION:

PJD-35R-K1-XX

A & B HOUSING COLOR
 (PC99 COLOR & PANTONE)
 BB: A:BLACK B:BLACK
 LP: A:LIME,577C B:PINK,701C
 PL: A:PINK,701C B:LIME,577C
 LL: A:LIGHT BLUE,284C B:LIME,577C



⑥	HOUSING-B: THERMOPLASTIC,UL94V-0	1
⑤	HOUSING-A: THERMOPLASTIC,UL94V-0	1
④	Shell: SPCC,NI Plated.	1
③	Contact: Coppber Alloy,TIN Plated Allover.	9
②	Cover: PA46 UL94V-0	1
①	Housing: PBT UL94V-0	1
ITEM	DESC	Q'TY

威納電子 WINPOINT ELECTRONIC CORP. www.winpoint.com.tw	Title 名稱 Double phone JACK					
	DR: 制圖 YangRL	CHK'D 審核 Kenny_shi	APP'D 核准 Wang	REV. AO	UNIT mm [INCH]	SHEET 1/1
PART NUMBER 威納料號 PJD-35R-K1-XX	CUSTOMER P/N 客戶料號 -	DATE 日期 May.15,08'	GENERAL TOLERANCE 一般公差			
DWG NO. 圖號 WP009-1107062-B	FILENAME 路徑 WP/009	SCALE 比例 N/A	MM .XX = ±0.38 X.XX = ±0.18 X.XXX = ±0.05 INCH .XX = ±0.015 .XXX = ±0.007 .XXXX = ±0.0020 UNLESS OTHERWISE SPECIFIED			
		ANGULAR ±3°				