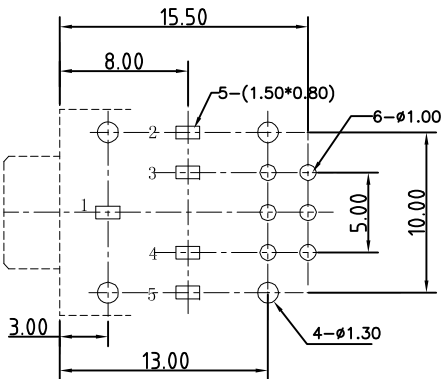
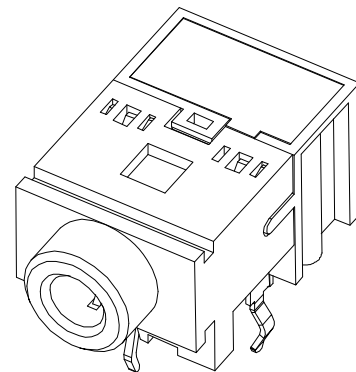
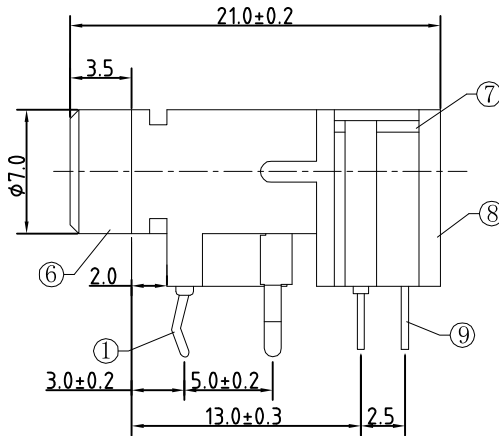
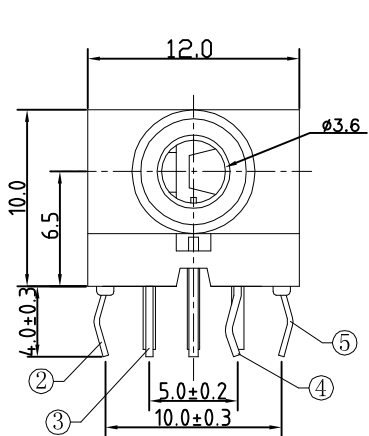


Rev 版次	Revision note 變更內容	Date 日期	App'd 核准
A/0	Original Release	Feb.13,05'	Andy.Lin



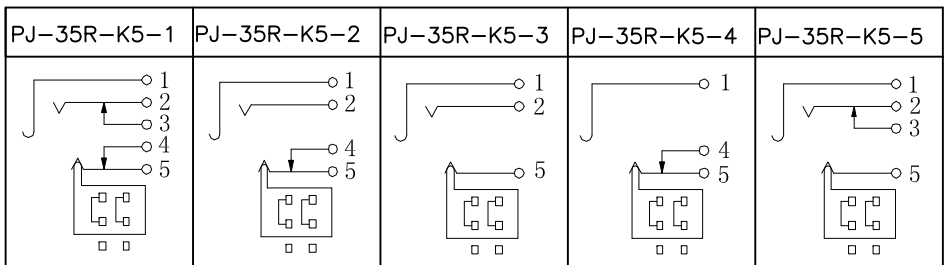
P. C. B. LAYOUT
TOP VIEW

SPECIFICATION

1. Rating: DC 30V 0.5A;
2. Contact resistance: 30mΩ Max;
3. Insulation resistance: 100mΩ Min(DC 250V);
4. Withstand voltage: 500V AC;
5. Insertion and extraction force: 3-20N;
6. Life test: 5,000 Cycles.

RoHS COMPLIANT

⑨	CONTACT FOOT: BRASS ,AG-PLATED	6
⑧	COVER: PBT UL94V-0,BLACK	1
⑦	COVER: PBT UL94V-0,BLACK	1
⑥	HOUSING: PBT UL94V-0,BLACK	1
⑤	CONTACT FOOT: SUS301 ,Sn PLATED	1
④	CONTACT FOOT: BRASS ,Sn PLATED	1
③	CONTACT FOOT: BRASS ,Sn PLATED	1
②	CONTACT FOOT: BRONZE ,Sn PLATED	1
①	CONTACT FOOT: BRASS ,Sn PLATED	1
ITEM	DESC	Q'TY



威納電子 WINPOINT ELECTRONIC CORP. www.winpoint.com.tw		Title 名稱 MINIATURE JACK				
DR 制圖 Tianyu	CHK'D 檢驗 Andy.Lin	APP'D 確認 Andy.Lin	REV. A/0	UNIT mm [INCH]	SHEET 1/1	
PART NUMBER 威納料號 PJ-35R-K5-X		CUSTOMER P/N 客戶料號 -		CUSTOMER 客戶 -		
DWG NO. 圖號 WP004-1007190-B		FILENAME 路徑 WP/004		SCALE 比例 N/A		
GENERAL TOLERANCE 一般公差			MM .XX = ±0.38 X.XX = ±0.12 X.XXX = ±0.051 INCH .XX = ±0.15 .XXX = ±0.005 .XXXX = ±0.0020 UNLESS OTHERWISE SPECIFIED			
			ANGLULAR ±1/2°			