

ENG.NO. XXXXXX

B

C

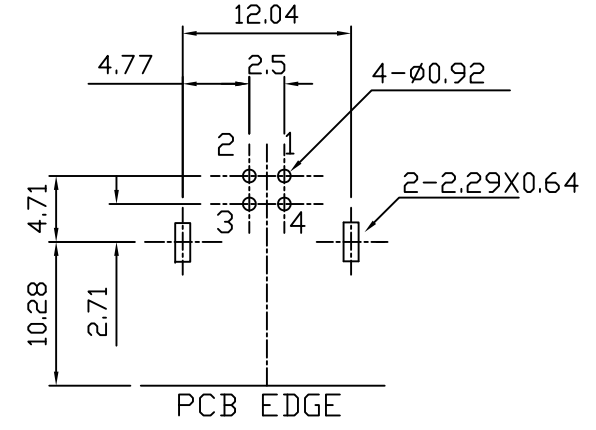
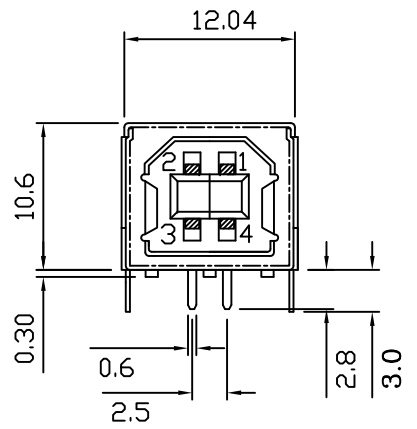
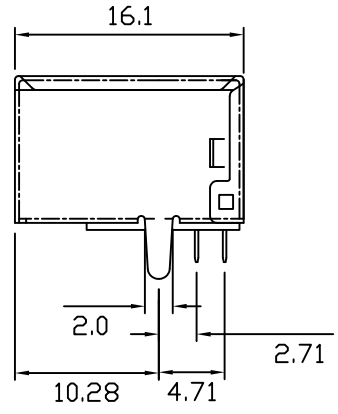
D

E

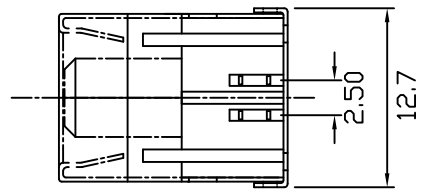
F

1 2 3 4 5 6 7 8

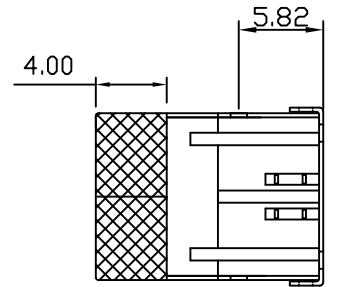
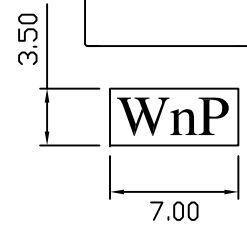
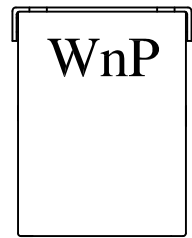
Rev 版次	Revision note 變更內容	Date 日期	DR 制圖
A0	Original Release	02.03,02'	K.K SU
A1	Revision shield pin tail from 4.0mm to 3.0mm	Jun.15,02'	K.K SU
A2	Change View	Jul.18,11'	Xieyincai



(COMPONENT SIDE)
PCB LAYOUT



打字模方向



外殼底部裁切
保留示意圖

3410-S1-XX-H

CONTACT PLATING

- 02: GOLD FLASH
- 05: GOLD 5u"
- 10: GOLD 10u"
- 15: GOLD 15u"
- 30: GOLD 30u"

SPEC:

- INSULATION RESISTANCE: 1000 MΩ MIN.
- CURRENT RATING: 1.5 AMPS
- VOLTAGE RATING: 30 V AC
- CONTACT RESISTANCE: 30 mΩ
- DIELECTRIC WITHSTANDING VOLTAGE: 500 V AC
- OPERATING TEMPERATURE: -55°C TO +80°C

RoHS COMPLIANT

ITEM	DESC	Q'TY
③	SHELL:BRASS T:0.3MM,NI:80u"-120u"	1
②	TERMINAL:PHOS. BRONZE T:0.25,NI:50u";TIN:100u"	4
①	HOUSING:HIGH TEMPERATURE PLASTIC,LEAD FREE,COLOR:BLACK	1

<p>威納電子 WINPOINT ELECTRONIC CORP. www.winpoint.com.tw</p>	Title 名稱 USB B TYPE,RIGHT ANGLE,SI					
	DR制圖 Xieyincai	CHK'D 審核 Kenny_shi	APP'D 核准 Wang	REV. A2	UNIT mm [INCH]	SHEET 1/1
PART NUMBER 威納料號 3410-S1-XX-H	CUSTOMER P/N 客戶料號 522426-001	DATE 日期 Jul.18,11'	GENERAL TOLERANCE 一般公差			
DWG NO. 圖號 WP009-1107061-00	FILENAME 路徑 WP/009	SCALE 比例 N/A	ANGULAR ±3° <small>MM .XX = ±0.30 .XX = ±0.18 .XXX = ±0.05 INCH .XX = ±0.015 .XXX = ±0.007 .XXXX = ±0.0020 UNLESS OTHERWISE SPECIFIED</small>			