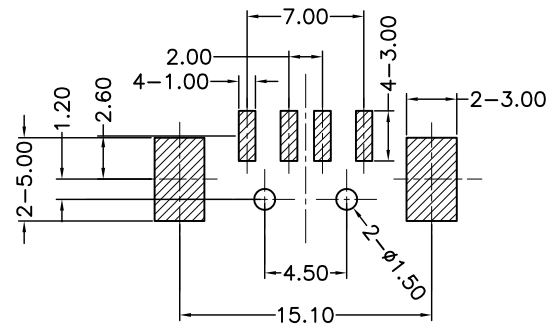
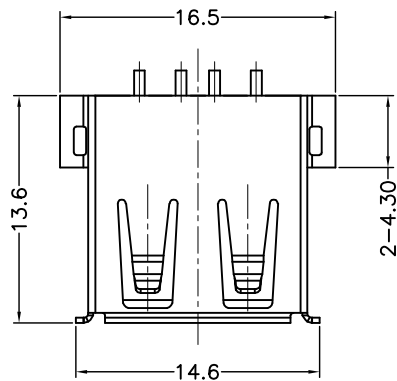
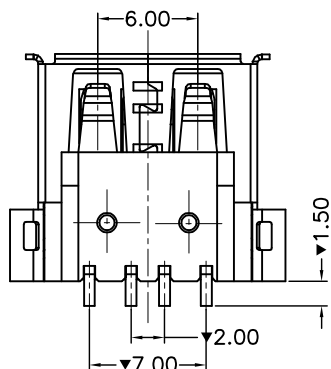
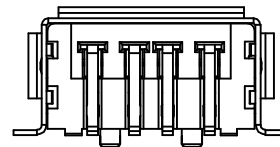
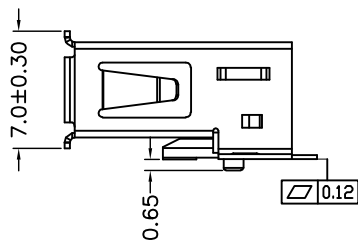
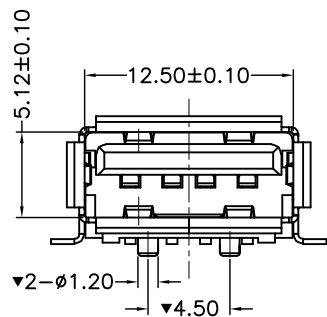


ENG.NO.
W0169-1411018

Rev 版次	Revision note 變更內容	Date 日期	DR 制圖
A0	Original Release	Dec.30,10'	Huyk



Recommend P.C.B Layout



Ordering information:

3410-AFRS2 X X

HOUSING COLOR
W:WHITE
K:BLACK

CONTACT PLATED
2 - GOLD FLASH
3 - 3u" GOLD PLATING
A - 10u" GOLD PLATING
B - 15u" GOLD PLATING

MATERIAL:

1. Housing: LCP, UL 94V-0, Color See Part No;
2. Terminal: Copper Alloy, Gold Plated AT Contact Area, Tin Plated at Solder Tail, Ni Underplated Over all.
3. Shell: Copper Alloy ,Nickel Plated

MECHANICAL:

1. Insertion Force: 3.57kgf Max;
2. Withdrawal Force: 1.02kgf Min.

ELECTRICAL SPECIFICATION:

1. Insulation Resistance: 1000 MΩ. Min.
2. Contact Resistance: 30mΩ Max.
3. Dielectric Withstanding Voltage: 500V/AC.
4. "▼" Is Important Control Size.

RoHS COMPLIANT

威納電子 WINPOINT ELECTRONIC CORP. www.winpoint.com.tw		Title 名稱 USB A / F SMT Type				
DR: 制圖 Huyk	CHK'D 審核 Kenny_shi	APP'D 核准 Chen	REV. AO	UNIT mm	SHEET 1/1	
PART NUMBER 威納料號 Refer to ordering info	CUSTOMER P/N 客戶料號 -	DATE 日期 Dec.30,10'	GENERAL TOLERANCE 一般公差			
DWG NO. 圖號 WP009-1411248-B	FILENAME 路徑 WP/009	SCALE 比例 N/A	MM X.X = ±0.38 X.XX = ±0.25 X.XXX = ±0.05 UNLESS OTHERWISE SPECIFIED ANGULAR ±3°			