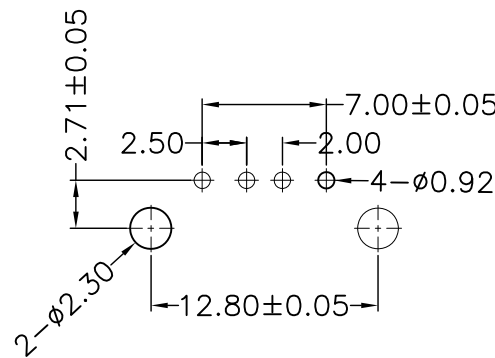
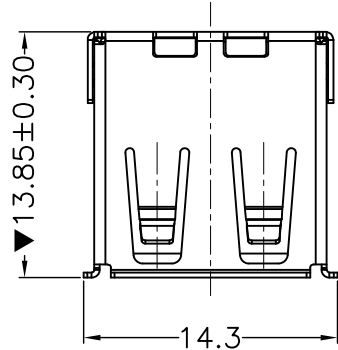


ENG.NO. W0169-1401001

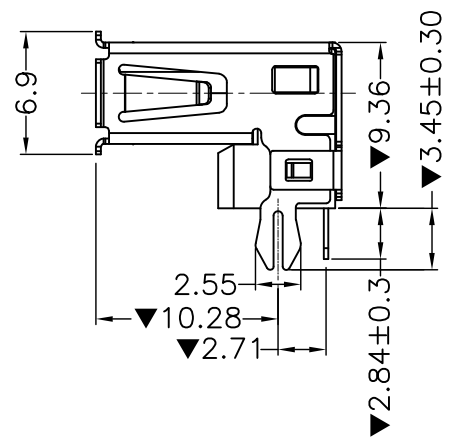
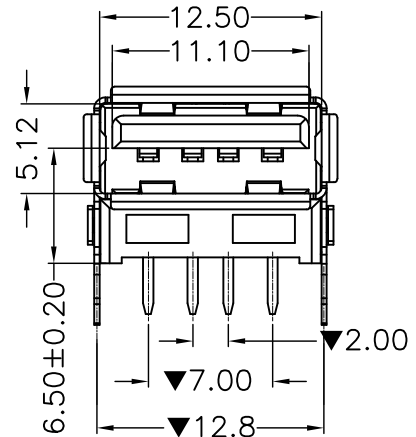
Rev 版次	Revision note 變更內容	Date 日期	DR 制圖
A0	Original Release	Oct.05,12'	Kenny_shi



PCB LAYOUT

MECHANICAL:

1. Insertion Force: 3.5KgF Max;
2. Withdrawal Force: 1.0KgF Min.
3. Durability: 1500 Cycles.



ELECTRICAL SPECIFICATION:

1. Rated Voltage And Current: Ac 100v Max, 1.5A Per Contact.
2. Insulation Resistance: 1000 MΩ. Min.
3. Contact Resistance: 50mΩ Max.
4. Dielectric Withstanding Voltage: 500V/AC.
5. Operating Temperature: -40°C~+85°C.
6. "▼" Is Important Control Size.

PRODUCT INFORMATION:

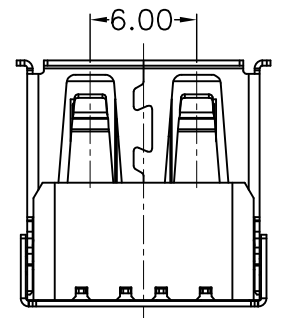
3410-AF-RH1-XX-X

CONTACT PLATED
 02:GOLD FLASH
 05:GOLD 5U"
 10:GOLD 10U"
 30:GOLD 30U"

HOUSING COLOR
 B:BLACK(STANDARD)
 W:WHITE

RoHS COMPLIANT

ITEM	DESC	Q'TY
③	TERMINAL:COPPER ALLOY GOLD/TIN PLATED	4
②	SHELL: SPCC NI PLATED	1
①	HOUSING: THERMOPLASTIC UL94V-0	1



<p>威納電子 WINPOINT ELECTRONIC CORP. www.winpoint.com.tw</p>	Title 名稱 USB 2.0 A/F HEIGHTEN TYPE					
	DR: 制圖 Xuzhijhua	CHK'D 審核 Kenny_shi	APP'D 核准 Chen	REV. AO	UNIT mm	SHEET 1/1
PART NUMBER 威納料號 3410-AF-RH1-XX-X	CUSTOMER P/N 客戶料號 -	DATE 日期 Oct.05,12'	GENERAL TOLERANCE 一般公差			
DWG NO. 圖號 WP009-1401001-B	FILENAME 路徑 WP/009	SCALE 比例 N/A	MM X.X = ±0.38 X.XX = ±0.25 X.XXX = ±0.05 UNLESS OTHERWISE SPECIFIED ANGULAR ±3°			