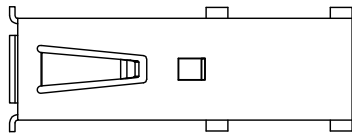
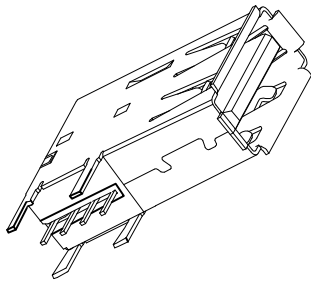


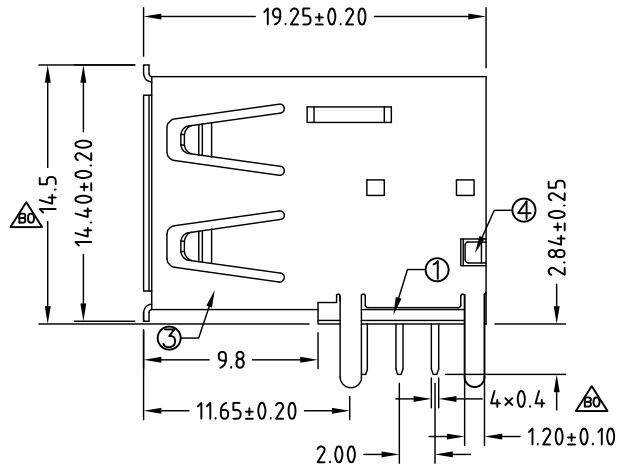
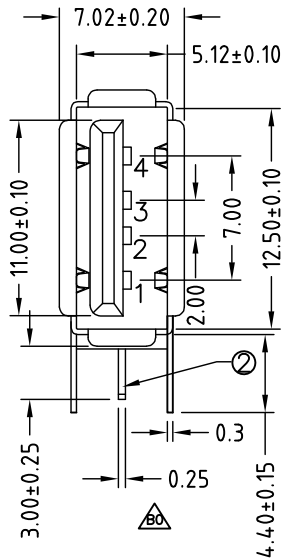
ENG.NO. W0003-1006009

Rev 版次	Revision note 變更內容	Date 日期	App'd 核准
B1	Add The Pin Dim.	Sep.25.14'	Kenny_shi



SPECIFICATION:

- 1.RATED VOLTAGE AND CURRENT:1.5A AT 250V AC MIN.
- 2.DIELECTRIC WITHSTANDING VOLTAGE:500V AC/1 MINUTE WITHOUT BREAKDOWN.
- 3.CONTACT RESISTANCE:BEFORE LIFE TEST 30m OHM MAX
AFTER LIFE TEST 50m OHM MAX
- 4.INSULATION RESISTANCE:1000M OHM MIN AT DC 500V.
- 5.INSERTION FORCE:35 NEWTONS MAX.
- 6.EXTRACTION FORCE:10 NEWTONS MIN.
- 7.SOLDERABILITY:TERMINAL SHALL BE IMMERSED IN FLUX BEFORE TEXT,THENDIP
IN MOLTEN SOLDER FOR 5±0.5 SEC, AT 245±5°C
- 8.TEMPERATURE RANGE:-55°C~+85°C

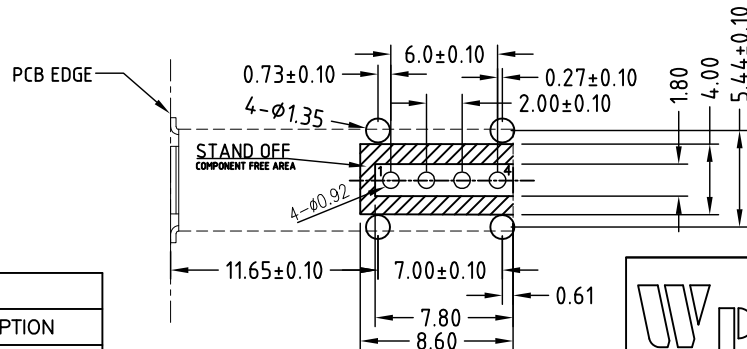


PART NUMBER INFORMATION:

3410-A1-VS2-XX-X-H

CONTACT PLATING
 02: GOLD FLASH
 15: GOLD 15u"
 30: GOLD 30u"

HOUSING COLOR
 B:BLACK
 W:WHITE



ROHS COMPLIANT

④	BACK SHELL: BRASS (T:0.30mm),NI-PLATING	1
③	SHELL: BRASS (T:0.30mm),NI-PLATING	1
②	TERMINAL: BRASS, (T:0.25mm),AU/SN PLATING	4
①	HOUSING: NYLON 9T,UL94V-0, COLOR: SEE PART NO	1
ITEM	DESC	Q'TY

RECOMMENDED PIN ASSIGNMENT		
PIN	SIGNAL NAME	DESCRIPTION
1	VBUS	+5 VDC
2	D-	DATA -
3	D+	DATA +
4	GND	GROUND

RECOMMENDED P.C.B. LAYOUT COMPONENT SIDE

威納電子 WINPOINT ELECTRONIC CORP. www.winpoint.com.tw		Title 名稱 USB A TYPE FEMALE (RECEPTACLE R/A, THRU-HOLE 4 POS.)			
DR 制圖 Xiaotao	CHK'D 檢驗 Andy.Lin	APP'D 確認 YJ.Lin	REV. B1	UNIT mm	SHEET 1/1
PART NUMBER 威納料號 3410-A1-VS2-XX-X-H	CUSTOMER P/N 客戶料號 -	DATE 日期 Sep.25.14'	GENERAL TOLERANCE 一般公差 MM X.X = ±0.38 X.XX = ±0.18 X.XXX = ±0.05 ANGULAR ±1/2° UNLESS OTHERWISE SPECIFIED		
DWG NO. 圖號 WP001-1006026-B	FILENAME 路徑 WP/001	SCALE 比例 N/A			

A4

CUSTOMER DRAWING