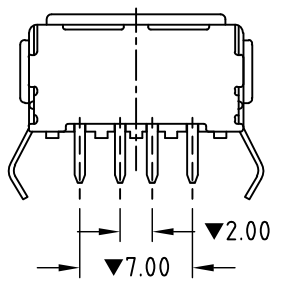
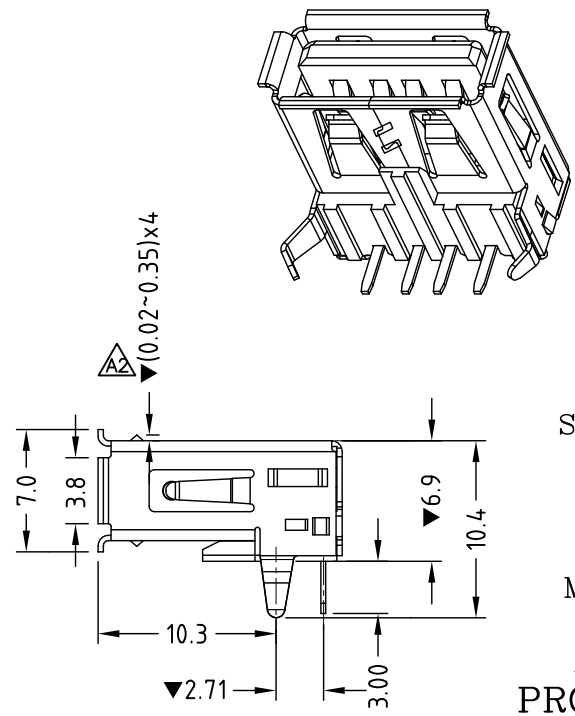
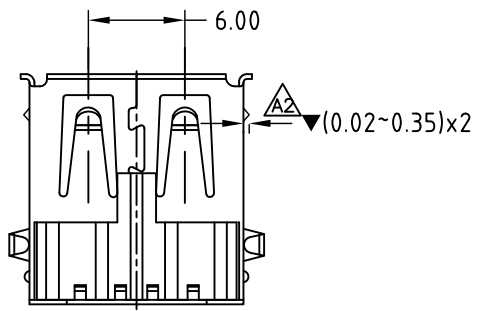
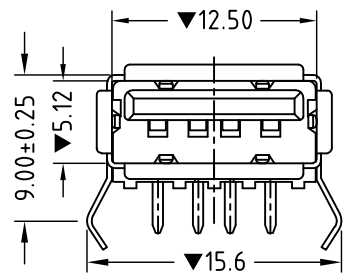
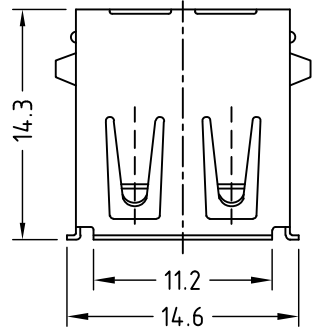
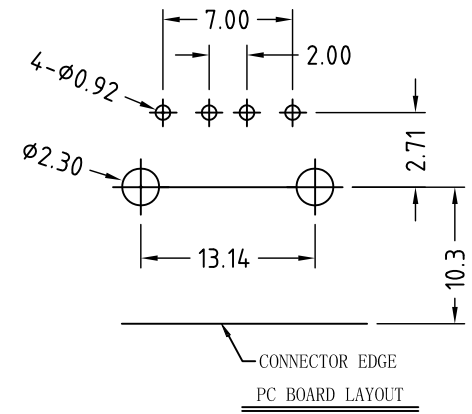


ENG.NO. W0057-1103168



Rev 版次	Revision note 變更內容	Date 日期	DR 制圖
A0	Original Release	030112	KK SU
A1	P/N Update RoHS	050426	KK SU
A2	Change shape	Dec.16,08'	Lijunhua



**SPECIFICATIONS**

1. INSULATION RESISTANCE: 1000M OHM Min
2. CONTACT RESISTANCE: 30m OHMS Max
3. DIELECTRIC WITHSTANDING : AC 500V
4. "▼" Is Important Control Size.

**MECHANICAL:**

1. MATING FORCE: 35N Max
2. UNMATING FORCE: 10N Min

**PRODUCT INFORMATION:**

3400-RO-XX-B-H

- CONTACT PLATED
- 02 - GOLD FLASH
  - 03 - 3u" GOLD PLATING
  - 10 - 10u" GOLD PLATING
  - 20 - 20u" GOLD PLATING

RoHS COMPLIANT

ITEM	DESC	Q'TY
③	TERMINAL: PHOSPHOR BRONZE, GOLD PLATED T:0.25	4pcs
②	SHELL: BRASS, NI PLATING T:0.3	1pcs
①	HOUSING: THERMOPLASTIC PLASTIC UL94V-0 BLACK	1pcs

威納電子 WINPOINT ELECTRONIC CORP. www.winpoint.com.tw		Title 名稱 USB A/F 90° TYPE				
DR: 制圖 Lijunhua		CHK'D 審核 Kenny_shi	APP'D 核准 Wang	REV. A2	UNIT mm [INCH]	SHEET 1/1
PART NUMBER 威納料號 3400-RO-02-B-H		CUSTOMER P/N 客戶料號 XX		DATE 日期 Dec.16,08'		GENERAL TOLERANCE 一般公差 MM .XX = ±0.38 X.XX = ±0.18 X.XXX = ±0.05 INCH .XX = ±0.015 .XXX = ±0.007 .XXXX = ±0.0020 UNLESS OTHERWISE SPECIFIED
DWG NO. 圖號 WP009-1103946-B		FILENAME 路徑 WP/009		SCALE 比例 N/A		ANGULAR ±3°

A4

CUSTOMER DRAWING